



# Mega Mills

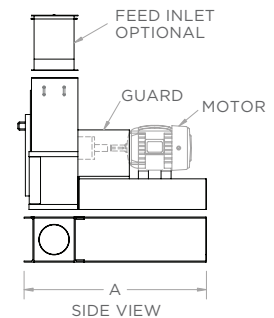
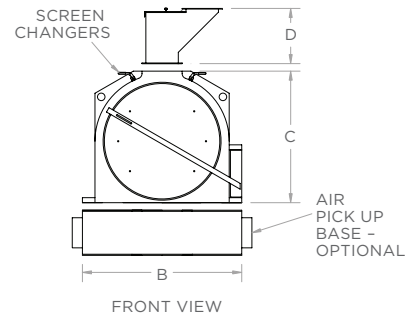


This mill's unique design provides nearly effortless access to all its internal parts for maintenance/cleaning, significant reductions on power needs, and provides a more uniformly ground product with greater efficiencies than other hammermills. Based on the Mega Mill's increased product handling capacities, at times, one machine may equal the output of two conventional units.

This time-proven design has kept these mills running 24-hours a day, 7-days a week, even at higher speeds, without difficulties or problems. The short distance between the bearing and shaft arrangement incorporated in this particular mill makes it smoother and quieter when operating, even after wear. Vibration inherent to other type hammermills (with long shaft designs are typically smaller in diameter with heavier rotors) is virtually eliminated.

You will find that your Mega Mill will dramatically reduce downtime, maintenance and power requirements. In some cases, Mega Mills paid for themselves from energy savings alone in 1 year.

The Mega Mill can handle a wide range of industrial and agricultural applications. It is available in mild steel or stainless steel construction for food or chemical applications. In addition to swivel hammers, rigid hammers and knife blades, a wide variety of other grinding elements are available to meet virtually any of your grinding needs.



## FEATURES

- Dynamic rotor symmetry assures superior balance and uniform hammer wear
- Lighter rotor, short rigidly supported shaft and large screen area minimizes energy waste
- High screen area to horse power ratio assuring maximum capacity and uniform grinding with less heat build-up
- Single latch door for easy maintenance and cleaning
- Unmatched smooth & quiet operation to maximize bearing life
- Unique strategically placed interrupter plates
- Reduces particles to as small as 50 mesh (250 micron)
- Production rates from 1 to 50,000 lbs/hr (dependent on bulk density)
- O-Ring door seals for dust-tight operation
- Easily removable rotor

## GENERAL DIMENSIONS\*

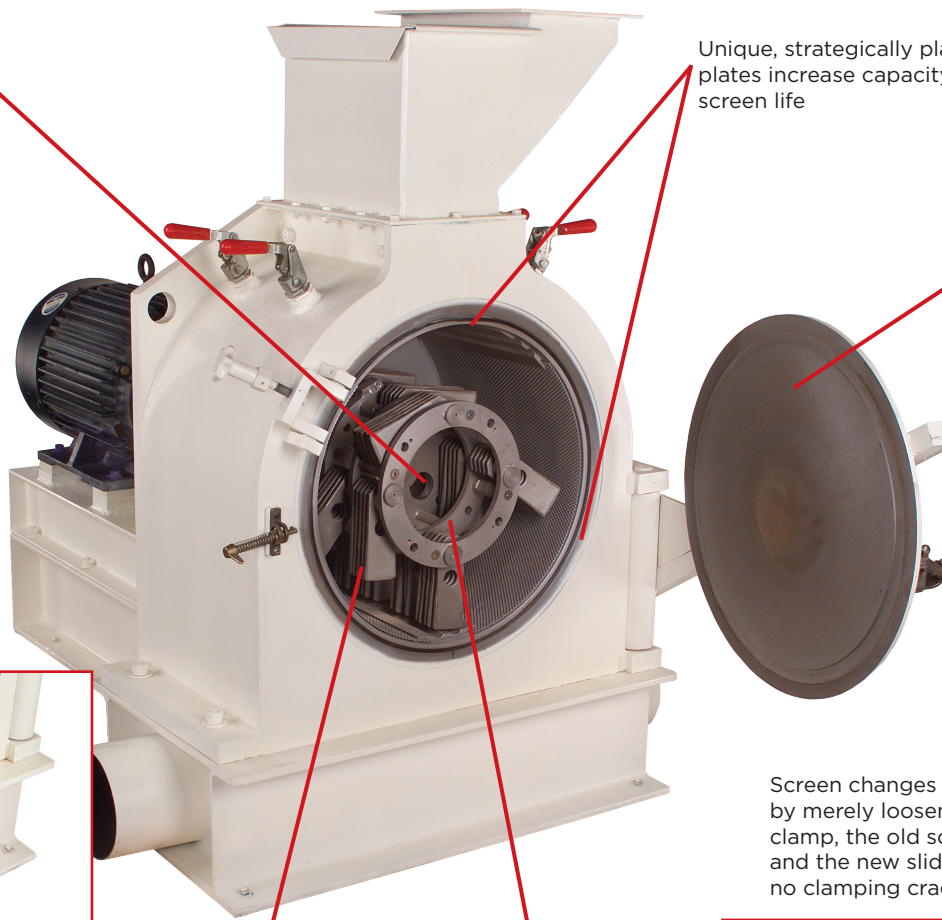
MODEL	A	B	C	D	MOTOR HP	AIR RELIEF CFM	SCREEN AREA SQ. IN.
MM-5	50-1/4	38	35	14	10-30	750	450
MM-9	64	38	35	14	40-60	1200	900
MM-18	73	63-1/2	53	22	75-125	1800	1850
MM-36	108	63-1/2	53	22	150-300	3000	3650

\*Do not use for engineering purposes. Please request a certified drawing for all layout or construction uses

Lighter rotor & short rigidly supported shaft with large screen area minimizes energy waste. Rotor is easily removed by unscrewing one bolt

Unique, strategically placed interrupter plates increase capacity while extending screen life

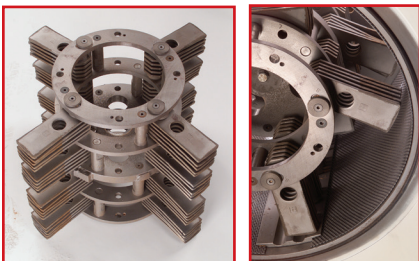
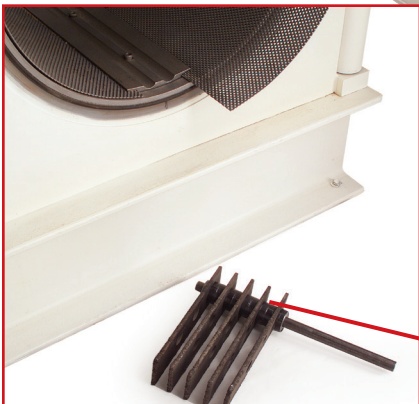
Large tight fitting, single latch door keeps processing dust inside the mill and provides immediate access to heart of unit for service, cleaning, parts replacement or screen changes



Screen changes are fast and easy; by merely loosening the retaining clamp, the old screen slides out and the new slides in. There are no clamping cradles to wrestle

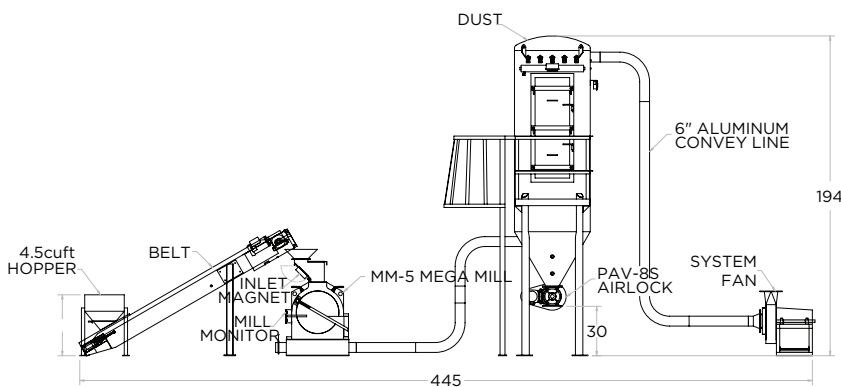
Dynamic rotor symmetry & strong, unique light-weight rotor assures superior balance, more uniform hammer wear, requires less horsepower and energy to run

Hammers are bench assembled in sets for fast simple changeover minimizing operational downtime by 75% - another Mega Mill cost saving feature



## APPLICATIONS

- Animal Feed
- Brewers Malt
- Cereal
- Diatomaceous Earth
- Fertilizer
- Soya Meal
- Soybeans, Whole
- Spices (salt, chili pepper, nutmeg, paprika etc.)
- Sugar
- Various Grains (rice, wheat, oat etc.)
- Wood (shavings, chips or waste)



**PRATER**<sup>®</sup>  
AIRLOCKS • MILLS • SEPARATORS

2 Sammons Court, Bolingbrook, IL 60440  
800.323.5735 • [praterindustries.com](http://praterindustries.com)